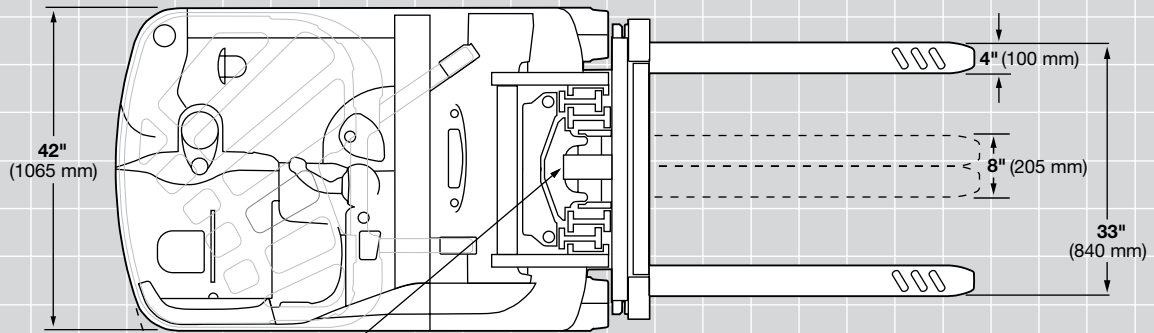


CROWN

RC 5700 SERIES

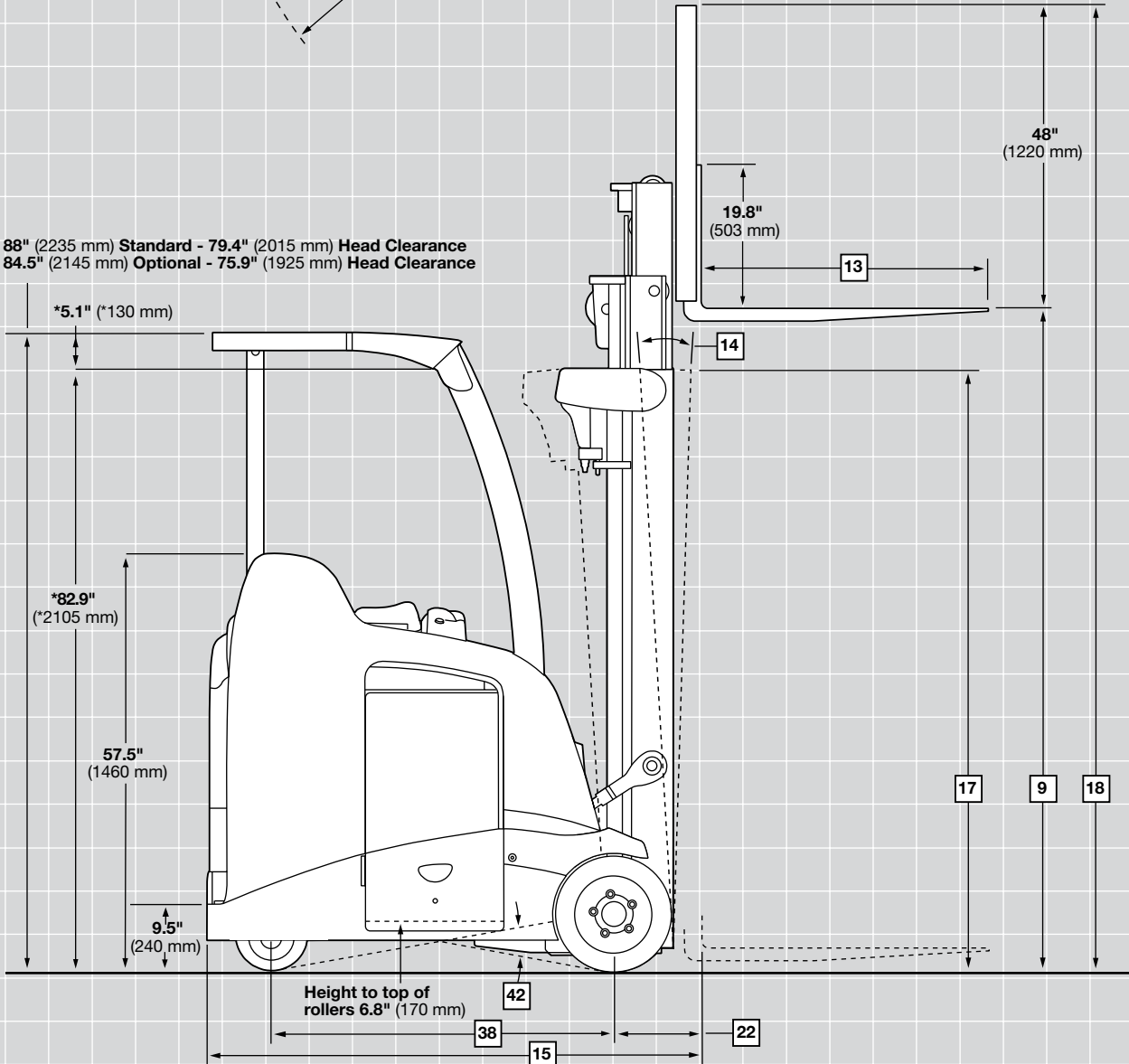
Specifications
Stand-Up Rider Lift Truck





21

88" (2235 mm) **Standard** - 79.4" (2015 mm) **Head Clearance**
84.5" (2145 mm) **Optional** - 75.9" (1925 mm) **Head Clearance**



*Clearance with Drive-in Rack application. Adjust for different overhead guard heights.

RC 5700 Series

Specifications

			Imperial	Metric	Imperial	Metric	Imperial	Metric			
General Information	1	Manufacturer	Crown Equipment Corporation								
	2	Model	RC		5715-30		5725-30		5735-30		
	3	Load Capacity*	Rated to 154" (3911 mm)	lb kg	3,000	1360	3,000	1360	3,000	1360	
	4	Load Center	Fork Face to Load CG	in mm	24	600	24	600	24	600	
	5	Power	Electric								
	6	Operator Type	36 Volts								
	7	Tire Type	Stand-up Rider Counterbalanced								
	8	Wheels (x = driven)	Press-on Solid Cushion 2x/2								
Dimensions	9	Mast	Lifting Height	in mm	See Mast Chart						
	11		Free Lift Height†	in mm	See Mast Chart						
	12	Fork Carriage	ITA Class II								
	13	Forks	Standard L x W x T	in mm	36x4x1.5	915x102x38	36x4x1.5	915x102x38	36x4x1.5	915x102x38	
			Optional Lengths	in mm	30, 39, 42, 45, 48, 54, 60	760, 990, 1070, 1145, 1220, 1370, 1525	30, 39, 42, 45, 48, 54, 60	760, 990, 1070, 1145, 1220, 1370, 1525	30, 39, 42, 45, 48, 54, 60	760, 990, 1070, 1145, 1220, 1370, 1525	
	14	Tilt	B°/F°	degree	See Mast Chart						
	15	Headlength**		in mm	62.9	1598	65.2	1656	67.5	1715	
	16	Width Overall	Standard Tread	in mm	42.0	1065	42.0	1065	42.0	1065	
	17	Height	Mast Collapsed	in mm	See Mast Chart						
	18		Mast Extended†	in mm	See Mast Chart						
	21	Turning Radius		in mm	51.7	1315	54.0	1375	56.2	1430	
22	Load Distance**	Wheel Cntr to Fork Face	in mm	11.3	287	11.3	287	11.3	287		
23	Aisle Width	Right Angle Stack	in mm	Turn Radius + Load Distance + Load Length + Clearance							
Performance	24	Speed Travel	Empty/Loaded	mph km/h	7.2/7.2	11.6/11.6	7.2/7.2	11.6/11.6	7.2/7.2	11.6/11.6	
	24a	w/Productivity Pkg.	Empty/Loaded	mph km/h	7.8/7.2	12.6/11.6	7.8/7.2	12.6/11.6	7.8/7.2	12.6/11.6	
	25	Speed Lift	Empty/Loaded	fpm m/s	110/65	0.56/0.33	110/65	0.56/0.33	110/65	0.56/0.33	
	26	Speed Lower	Empty/Loaded	fpm m/s	90/90	0.46/0.46	90/90	0.46/0.46	90/90	0.46/0.46	
Weight	32	Weight, Less Battery		lb kg	6,350	2880	6,390	2900	5,929	2690	
	33	Axle Load with Max Battery	Unloaded Front	lb kg	3,992	1810	4,167	1890	4,522	2050	
	34		Unloaded Rear	lb kg	4,337	1970	4,489	2035	4,057	1840	
Chassis	35	Tires	Number Front/Rear	2/2							
	36		Size Front	in mm	16x7x10.5	406x178x267	16x7x10.5	406x178x267	16x7x10.5	406x178x267	
	37		Size Rear	in mm	10x5x6.5	254x127x165	10x5x6.5	254x127x165	10x5x6.5	254x127x165	
	38	Wheelbase		in mm	42.7	1085	45.0	1145	47.2	1200	
	39	Track Width	Front - Drive	in mm	35.0	889	35.0	889	35.0	889	
			Rear - Steer	in mm	6.7	170	6.7	170	6.7	170	
	40	Ground Clearance, Loaded	Lowest Point	in mm	3.0	76	3.0	76	3.0	76	
	41		Center of Wheelbase	in mm	4.2	107	4.2	107	4.2	107	
42	Grade Clearance, Loaded		%	41		39		37			
43	Brakes	Service	Foot - Motor								
44		Parking	Auto - Electric								
Battery	45	Battery	Type	Lead Acid							
			Compartment	B		C		D			
			Capacity	AH	775	930	1085				
	47			kWh	27.2	32.6	38.1				
				Weight - Min	lb kg	1,710	780	1,990	905	2,280	1035
				Weight - Max	lb kg	1,980	895	2,270	1025	2,650	1200
				Comp't. Size - Max	Length	13.6	345	15.9	404	18.1	460
					Width	38.56	979	38.56	979	38.56	979
	Height	31	787	31	787	31	787				
	Cable Lead Length	Connector Position	in mm	12/A	300/A	12/A	300/A	12/A	300/A		
48	Battery Floor Height	With Rollers	in mm	6.8	170	6.8	170	6.8	170		
Motors	49	Motors	Traction Motor, dia	in mm	7.5	191	7.5	191	7.5	191	
	50		Lift Motor, dia	in mm	7.5	191	7.5	191	7.5	191	
51	Operating Pressure	For Attachments	psi bar	Up to 2,500	Up to 175	Up to 2,500	Up to 175	Up to 2,500	Up to 175		

* Optional masts, attachments, longer load dimensions and higher lifting heights may result in derating of the capacity. Contact your local dealer.

** Add 4.25" (108 mm) for quad masts, add 1.4" (36 mm) for Crown integrated sidesift, add 2.3" (59 mm) for hook on sideshift.

† Includes load backrest.

Performance specifications are based on a truck equipped with a 190" (4825 mm) triple telescopic mast.

RC 5700 Series

Specifications

			Imperial	Metric	Imperial	Metric	Imperial	Metric					
General Information	1	Manufacturer	Crown Equipment Corporation										
	2	Model	RC		5735-35		5745-40		5755-40				
	3	Load Capacity*	Rated to 154" (3911 mm)	lb kg	3,500	1600	4,000	1800	4,000	1800			
	4	Load Center	Fork Face to Load CG	in mm	24	600	24	600	24	600			
	5	Power	Electric										
	6	Operator Type	Stand-up Rider Counterbalanced										
	7	Tire Type	Press-on Solid										
	8	Wheels (x = driven)	Number Front/Rear										
Dimensions	9	Mast	Lifting Height	in mm	See Mast Chart								
	11		Free Lift Height†	in mm	See Mast Chart								
	12	Fork Carriage	ITA Class II										
	13	Forks	Standard L x W x T	in mm	36x4x1.75	915x102x45	36x4x1.75	915x102x45	36x4x1.75	915x102x45			
			Optional Lengths	in mm	30, 39, 42, 45, 48, 54, 60	760, 990, 1065, 1145, 1220, 1370, 1525	30, 39, 42, 45, 48, 54, 60	760, 990, 1065, 1145, 1220, 1370, 1525	30, 39, 42, 45, 48, 54, 60	760, 990, 1065, 1145, 1220, 1370, 1525			
	14	Tilt	B°/F°	degree	See Mast Chart								
	15	Headlength**		in mm	67.7	1720	70.1	1781	74.4	1889			
	16	Width Overall	Standard Tread	in mm	42.0	1065	42.0	1065	42.0	1065			
	17	Height	Mast Collapsed	in mm	See Mast Chart								
	18		Mast Extended†	in mm	See Mast Chart								
	21	Turning Radius		in mm	56.2	1430	58.6	1490	62.8	1600			
	22	Load Distance**	Wheel Cntr to Fork Face	in mm	11.5	292	11.5	292	11.5	292			
	23	Aisle Width	Right Angle Stack	in mm	Turn Radius + Load Distance + Load Length + Clearance								
Performance	24	Speed Travel	Empty/Loaded	mph km/h	7.2/7.2	11.6/11.6	7.2/7.2	11.6/11.6	7.2/7.2	11.6/11.6			
	24a	w/Productivity Pkg.	Empty/Loaded	mph km/h	7.8/7.2	12.6/11.6	7.8/7.2	12.6/11.6	7.8/7.2	12.6/11.6			
	25	Speed Lift	Empty/Loaded	fpm m/s	110/60	0.56/0.30	110/55	0.56/0.28	110/55	0.56/0.28			
	26	Speed Lower	Empty/Loaded	fpm m/s	90/90	0.46/0.46	90/90	0.46/0.46	90/90	0.46/0.46			
Weight	32	Weight, Less Battery		lb kg	6,429	2915	6457	2930	7,975	3615			
	33	Axle Load with Max Battery	Unloaded Front	lb kg	4,557	2065	4,850	2200	5,897	2675			
	34		Unloaded Rear	lb kg	4,521	2050	4,678	2120	5,528	2505			
Chassis	35	Tires	Number Front/Rear		2/2								
	36		Size Front	in mm	16x7x10.5	406x178x267	16x7x10.5	406x178x267	16x7x10.5	406x178x267			
	37		Size Rear	in mm	10x5x6.5	254x127x165	10x5x6.5	254x127x165	10x5x6.5	254x127x165			
	38	Wheelbase		in mm	47.2	1200	49.6	1260	53.9	1370			
	39	Track Width	Front - Drive	in mm	35.0	889	35.0	889	35	889			
			Rear - Steer	in mm	6.7	170	6.7	170	6.7	170			
	40	Ground Clearance, Loaded	Lowest Point	in mm	3.0	76	3.0	76	3.0	76			
	41		Center of Wheelbase	in mm	4.2	107	4.2	107	4.2	107			
	42	Grade Clearance, Loaded		%	37		35		31				
	43	Brakes	Service	Foot - Motor									
Parking			Auto - Electric										
Battery	45	Battery	Type	Lead Acid									
			Compartment	D		E		F					
			Capacity	AH	1085		1240		1395				
	47			kWh	38.1		43.6		48.5				
				Weight - Min	lb kg	2280	1035	2,600	1180	3,100	1410		
				Weight - Max	lb kg	2,650	1200	3,070	1390	3,450	1560		
				Comp't. Size - Max	Length	18.1	460	20.5	521	22.8	580		
					Width	38.56	979	38.56	979	38.56	979		
		Height	31	787	31	787	31	787					
		Cable Lead Length	Connector Position	in mm	12/A	300/A	12/A	300/A	12/A	300/A			
48	Battery Floor Height	With Rollers	in mm	6.8	170	6.8	170	6.8	170				
Motors	49	Motors	Traction Motor, dia	in mm	7.5	191	7.5	191	7.5	191			
	50		Lift Motor, dia	in mm	7.5	191	7.5	191	7.5	191			
51	Operating Pressure	For Attachments	psi bar	Up to 2,500	Up to 175	Up to 2,500	Up to 175	Up to 2,500	Up to 175				

* Optional masts, attachments, longer load dimensions and higher lifting heights may result in derating of the capacity. Contact your local dealer.

** Add 4.25" (108 mm) for quad masts, add 1.4" (36 mm) for Crown integrated sidesift, add 2.3" (59 mm) for hook on sideshift.

† Includes load backrest.

Performance specifications are based on a truck equipped with a 190" (4825 mm) triple telescopic mast.

Dimensions	Mast Chart RC 5700 Series		TT												
			in	mm	in	mm	in	mm	in	mm	in	mm	in	mm	
	9	Lifting Height	112	2845	154	3910	190	4825	208	5280	226	5740	244	6200	262
11	Free Lift Height	6.2	160	20.2	510	32.2	815	38.2	970	44.2	1120	50.2	1275	56.2	1430
14	Tilt B/F* (degree)	1.5/5	1.5/5	3/5	3/5	5/5	5/5	5/5	5/5	5/5	5/5	5/5	5/5	5/5	5/5
17	Mast Collapsed Height	57.3	1455	71.3	1815	83.3	2115	89.3	2265	95.3	2415	101.3	2565	107.3	2725
18	Mast Extended Height	160	4065	202	5135	238	6045	256	6505	274	6960	292	7420	310	7875

Dimensions	Mast Chart RC 5700 Series		QUAD										
			in	mm	in	mm	in	mm	in	mm	in	mm	
	9	Lifting Height	240	6095	246	6245	258	6550	264	6705	276	7010	282
11	Free Lift Height	33.2	840	36.2	915	39.2	995	42.2	1070	45.2	1145	48.2	1225
14	Tilt B/F* (degree)	3/5	3/5	3/5	3/5	3/5	3/5	3/5	3/5	3/5	3/5	3/5	3/5
17	Mast Collapsed Height	83.4	2120	86.4	2195	89.4	2275	92.4	2350	95.4	2425	98.4	2490
18	Mast Extended Height	288	7315	294	7470	306	7775	312	7925	324	8230	330	8385

All values with 48" (1220 mm) load backrest
 *Forward tilt limited to 2° above staging

RC 5700 Series

Technical Information

Standard Equipment

- Crown's Access 1 2 3 Comprehensive System Control
- e-GEN Braking System with automatic parking brake
- Intrinsic Stability System
 - Travel speed reduction and appropriate brake control when forks are above free lift
 - Forward tilt interlock above staging
 - Controlled tilt speeds
 - Counterweight exceeds required standards
 - Cornering speed control
 - Ramp hold
 - Ramp speed control
- FlexRide Suspension
- Operator compartment
 - Crown flexible side stance
 - Padded back support with integral side restraint
 - Premium rubber floor mat
 - Padded arm rest
 - Operator console with desk top work surface and storage
 - Entry Bar® safety switch
 - Posture relief step
- Multi-task control handle
- Tilt position assist

- Crown display
 - Battery discharge indicator with lift interrupt and re-key feature
 - Hour meters / travel distance / stop watch
 - Pin code access capable
 - Event code display with five (5) key navigation
 - Access 1 2 3 diagnostics
 - P1, P2, P3 Performance tuning
- AC hydraulics and on-demand steering
- 36-volt system
- 350 amp battery connector
- InfoPoint System
- Color-coded wiring
- Battery rollers
- Dual 10" (254 mm) cushion steer tires
- Large 16" (406 mm) cushion drive tires
- Crown-manufactured drive and lift motors
- High visibility power unit
- Radial design overhead guard with third post
- High visibility mast with in-line hose routing
- Hydrostatic power steering
- 5° forward tilt
- 48" (1220 mm) high load backrest
- Reverse steering

- Hoist-travel interlock

- Auto power down

Optional Equipment

- Factory installed attachments
- Load backrest heights
- Fork lengths
- Polished and tapered forks
- Power Sources
 - V-Force® Lithium-Ion Ready
 - Thin Plate Pure Lead Ready
 - Fuel Cell Ready
- Dual Front Cover Connectors (dual battery cables)
- Drive and steer tires
- Overhead guard heights
- Drive-in rack overhead guards
- Suspended floorboard
- Adjustable armrest
- 2 5/8" (67mm) radius steer tiller
- Forward steering
- Quick disconnect hydraulics
- Electronic pressure regulator
- 5th hydraulic function
- Visual warning devices
 - Floor spot lights
 - Floor line lights - side lights only
 - Floor line lights - side and rear lights
 - Flashing lights
 - Arc Light - rear arc only
 - Arc Light - rear arc and side floor line lights

- Work lights
- Dome light
- Audible warning devices
 - Travel alarms
- Work Assist Accessories
 - Operator fan
 - Clip pad and hook
 - Clamp
 - Mounting plate
 - Shrink wrap holder
 - Cup holder
 - Pockets
 - Organization kits
 - Desktop clip pad
- Chain slack detection
- Keyless on/off switch
- Fire extinguisher
- Accessory cable (36V)
- Uninterrupted power supply
- Counterweight for RC 5755-40
- Knee pad
- InfoLink Ready
- Productivity package
- Cooling package
- Environmental packages
 - EE Rated
 - Corrosion package
 - Freezer package

Operator Compartment

Soft, rounded surfaces make the compartment interior more comfortable. Streamlined exterior smooths entry/exit for the operator.

A low floor height, (9.5" [240 mm]) first greets the operator. A patented FlexRide suspended floor provides a comfortable ride for a wide range of operators. A footrest provides postural relief during stationary tasks, complementing the largest floorboard in its class.

Crown's flexible side stance allows the operator to change positions to increase comfort and productivity.

The Entry Bar safety switch with sensors to automatically slow truck travel, encourages safe foot positioning inside the truck.

The Multi-Task Control Handle naturally bridges Crown's current and past designs. Intuitive operation is increased, reducing the learning curve. Blending of hydraulic control functions and traction can improve productivity. Control handle activation forces are reduced. Soft grip steer tiller with hydrostatic steering reduces operator fatigue.

Operator visibility is improved with:

- Low-profile sculpted power unit
- High visibility mast
- Angled overhead guard post and placement
- Radial design overhead guard
- Flexible side stance

Crown Drive System

Crown has applied the latest generation AC drive system, enhanced with Access 1 2 3 technology. The demand for high efficiency systems that closely match customer torque requirements is met with this generation control system. Crown-manufactured, independently controlled, AC drive motors are specifically designed to optimize system integration between the traction and braking controls.

Crown's Access 1 2 3 technology provides optimum performance and control by offering a communication interface for operators and technicians, intelligent coordination of lift truck system and simplified service with advanced diagnostics.

The Crown display is used for easy troubleshooting, access service history and set performance features. A distribution panel is conveniently located with all test points, control fuses and central wiring for easy troubleshooting.

Three modes of performance can be selected to accommodate operator experience or application requirements.

e-GEN Braking System

Variable regenerative motor braking is optimized and virtually eliminates brake maintenance. The appropriate amount of stopping force is applied to match operator brake input and the current operating conditions of the truck.

The closed loop Access 1 2 3 traction control will keep the truck static until a travel input is requested, even when operating on a grade.

Automatic electric parking brakes activate when the operator releases the brake pedal, a travel input has not been requested or battery power has been disconnected.

Steering

Load-sense hydrostatic steering is an on-demand system which reduces energy consumption. Smooth, quiet steering control with minimal operator effort required at the steer tiller. Steer tires rotate 182° for maximum maneuverability. Crown's hydrostatic steering system is simplified with significantly fewer parts, thus reducing maintenance requirements.

Hydraulics

The hydraulic system provides continuous filtration. A pressurized steel hydraulic tank reduces oil misting and contamination. Hydraulic attachments can be added easily in the field.

Hydraulic manifold is mounted on the mast reducing the number of hoses and fittings.

Ram displacement type lift cylinders and two double acting tilt cylinders are Crown-manufactured. All rams and piston rods are hard chrome plated to reduce pitting and extend cylinder packing life. O-ring face seal fittings are used to eliminate leaks.

Mast Assembly

Crown-manufactured mast assembly utilizes a "flush-face" interlocked I-beam design to improve visibility and reduce truck length. Roller bearing studs are welded on both sides of the rails for maximum strength and roller bearings are canted to run in the thick cross section of the rail. Tie bars wrap around the rails for added strength and to resist off-center load forces.

"In-line" hose routing opens up visibility. Cylinders are placed to the sides to create a high visibility design.

The mast has four points of attachment to the truck for good load force distribution. Two mounting points are at the frame, where tilt cylinders attach. Tilt

cylinders use spherical bushings to resist off center load distortions. Two large diameter studs secure the mast to the drive units.

Drive Units

Two Crown-manufactured independent double reduction planetary gear drives offer 27 to 1 gear reduction. The first and second reduction use helical gears for low noise and efficiency. The drive unit gears are splash lubricated in an oil bath.

Carriage

An ITA Class II carriage is standard. An optional hook type ITA sideshifter or other attachments are easily added. Optional fork lengths are available.

Warning Device Options

Audible or Visual Alerts

Safety considerations and dangers associated with audible travel alarms and lights include:

- Multiple alarms and/or lights can cause confusion.
- Workers ignore the alarms and/or lights after day-in and day-out exposure.
- Operator may transfer the responsibility for "looking out" to the pedestrians.
- Annoys operators and pedestrians.

Other Options Available

Contact factory for additional options.

Dimensions and performance data given may vary due to manufacturing tolerances. Performance is based on an average size vehicle and is affected by weight, condition of truck, how it is equipped and the conditions of the operating area. Crown products and specifications are subject to change without notice.

crown.com

You can count on Crown to build lift trucks designed for safe operation, but that's only part of the safety equation. Crown encourages safe operating practices through ongoing operator training, safety-focused supervision, maintenance and a safe working environment. Go to [crown.com](https://www.crown.com) and view our safety section to learn more.

Because Crown is continually improving its products, specifications are subject to change without notice.

Crown, the Crown logo, the color beige, the Momentum symbol, Access 1 2 3, InfoLink, InfoPoint, e-GEN, Entry Bar, FlexRide, Intrinsic Stability System, V-Force and Work Assist are trademarks of Crown Equipment Corporation in the United States and other countries.

Copyright 2007-2024 Crown Equipment Corporation
SF14737 Rev. 05-24
Printed in U.S.A.